

Creative Sunrooms

Sunbilt Solar Products by Sussman, Inc.

DATE: _____

Purchaser: _____

P.O. # _____ Job: _____
 Ship to: _____

Phone: _____ Fax: _____

Att.: _____

DESC.	ITEM	QTY.	EA.	TOTAL
Model _____	Base (3 bays)	1		
No. of Bays _____	Added Bays			
Gables _____	Left Gable _____			
Bronze Painted <input type="checkbox"/>	Right Gable _____			
White Painted <input type="checkbox"/>				
Filler Kit <input type="checkbox"/>				

Clear Frame with clear glass **→** 1

GLASS OPTIONS				
Bz. Tinted <input type="checkbox"/>	Front <input type="checkbox"/> <input type="checkbox"/>			
Low "E" <input type="checkbox"/>	Roof <input type="checkbox"/> <input type="checkbox"/> <input type="checkbox"/>			
Eclipse Roof (Laminated) <input type="checkbox"/>	Gables <input type="checkbox"/> <input type="checkbox"/>			
Lami. Roof	Laminated Roof			
S/C Curves	Solar Cool Curves			

Glass Options **→** 2

WINDOWS DOORS				
Location _____	Std Sliding Patio Door			
If door in front specify bay	Other Specify:			
Standard <input type="checkbox"/>	Std. Project-Out			
Other <input type="checkbox"/>	Other Specify:			

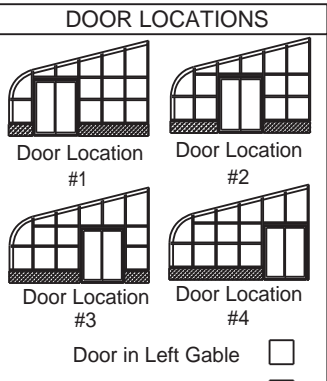
Doors and Windows **→** 3

SKYLIGHTS				
Bronze <input type="checkbox"/>	Std. Manual			
White <input type="checkbox"/>	Extension			
Type of Glass	Motor			
* Roof Fan Bronze <input type="checkbox"/>	TC1000T			
Roof Fan White <input type="checkbox"/>				
* FANS				
Vent-Axia Fans <input type="checkbox"/>				
Location and Gable _____				
Controller <input type="checkbox"/>	Surface <input type="checkbox"/> Flush <input type="checkbox"/>			

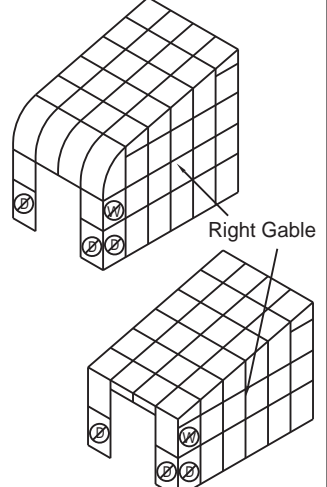
Skylights and Fans **→** 4

SHADES				
Color _____	Manual (May not retract fully)			
Newport <input type="checkbox"/> Aspen <input type="checkbox"/>	Motorized			
Manual <input type="checkbox"/>	Motors			
Motorized <input type="checkbox"/>	Valences			

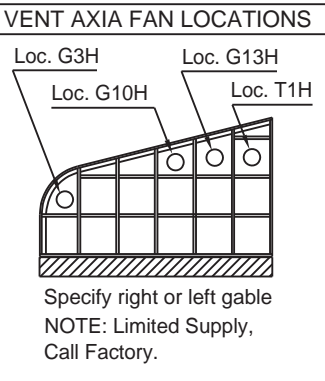
Shades **→** 5



Door in Left Gable
 Door in Right Gable
 Door in Front (specify bay location)



This bay will not accommodate door.
 This bay will not accommodate window.
 Note: Only XH or TS curve eave models can accommodate a door in front.
 KW model with door in front must be on 48" knee wall.
 GG model with door in front must be on 32" knee wall.



PRICE SUMMARY

Frame	1	
Glass Options	2	
Doors/Windows	3	
Skylights/Fans	4	
Shades	5	
Total for Order		
Total Net Amount		
Sales Tax		
Total Amount		
* 25% DEPOSIT		
Balance		

Ship ASAP
 Hold, Ship on _____ (specify date)
 Ship COD (cash or certified check)

* Accessories must be paid in full at time of order plus 25% deposit of the balance.
 Shades and fans are shipped separately.
 Freight cost is responsibility of customer.
 All orders F. O. B. Jamaica, New York.
 Prices and specifications subject to change without notice.